

GD-010-0656-12W

12W medium performance adjustable LED track spot light with integrated LED chip and dimmable driver. Available in powder coated finish. 5-Years Warranty



895

LUMENS

12W

WATT

**3000K
4000K**

COLOUR

IP20

IP RATING

220-240V

AC

15/24/38°

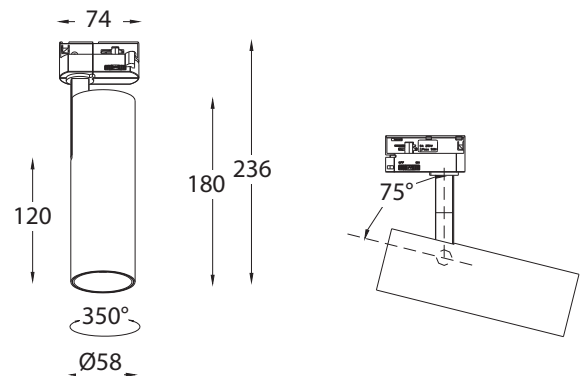
BEAM ANGLE

**5
YEARS**

WARRANTY

DIMMABLE

DIMMING



Model	IP Rating	Power (W)	Lumen Output (lm)	CCT	CRI	Beam Angle	Dimming	Dimensions	Mounting	Voltage	Fitting Colour
GD-010-0656-12W	IP20	12W	895lm	3000K 4000K	≥80	15° 24° 38°	Dimmable	Ø58x180 mm	Track	220-240V AC	Black White